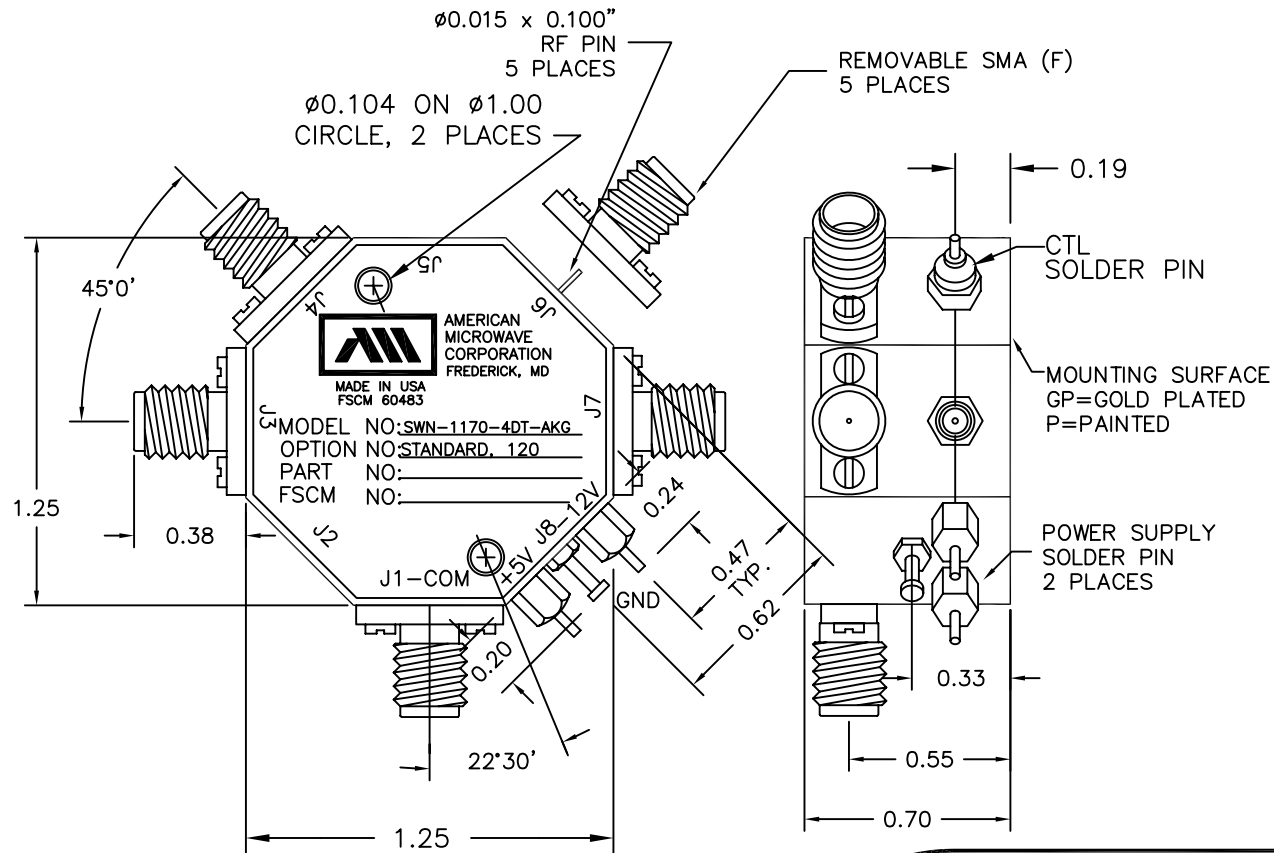


DESCRIPTION

AMC MODEL SWN-1170-4DT-AKG OPTION 120 IS A SINGLE POLE FOUR THROW, NON-REFLECTIVE/ABSORPTIVE SWITCH MODULE WITH VERY HIGH ISOLATION, LOW LOSS, HIGH SPEED AND INTEGRAL TTL DRIVER, DESIGNED FOR BROAD BAND OPERATIONS.

REVISIONS				
ZONE	REV.	DESCRIPTION	DATE	APPROVED
		- ORIGINAL RELEASE JOB# 903041E-2	7/28/99	

MECHANICAL OUTLINE



AMERICAN MICROWAVE CORPORATION

7311-G GROVE ROAD
 FREDERICK, MARYLAND 21704 USA
 TEL: 301-662-4700 FAX: 301-662-4938
 WEBSITE: www.americanmicrowavecorp.com
 E-MAIL: sales@americanmicrowavecorp.com
 ISO 9001:2000 CERTIFIED



ALL DIMENSIONS ARE IN INCHES
 TOLERANCES:
 X.XX ±0.020
 X.XXX ±0.010

APPROVALS		DATE	TITLE			
DRAWN <i>WJLS</i>		10/29/06	MECHANICAL OUTLINE SWN-1170-4DT-AKG OPTION: 120 0.1 GHz TO 20 GHz PIN DIODE SWITCH			
CHECKED <i>RA</i>		10/24/06	SIZE	FSCM NO.	DWG NO.	REV.
ISSUED			A	60483	100-7718-001	-
			SCALE	N:S		SHEET 2 OF 4

DESCRIPTION

AMC MODEL SWN-1170-4DT-AKG OPTION 120 IS A SINGLE POLE FOUR THROW, NON-REFLECTIVE/ABSORPTIVE SWITCH MODULE WITH VERY HIGH ISOLATION, LOW LOSS, HIGH SPEED AND INTEGRAL TTL DRIVER, DESIGNED FOR BROAD BAND OPERATIONS.

SPECIFICATIONS

- FREQUENCY RANGE: 0.1 GHz TO 20 GHz
- INSERTION LOSS: 5.0 dB MAXIMUM
- ISOLATION: 110 dB MINIMUM
- VSWR: 2.0:1
- SWITCHING SPEED: 300 nsec (10%-90% RF)
- CONTROL LOGIC: TTL COMPATIBLE LOGIC "0"=ON "1"=OFF
- RF CONNECTORS: SMA FEMALE
- OPERATING TEMPERATURE: 0 TO 55°C
- POWER SUPPLY: +5V @ 100 mA MAXIMUM
..... -12V @ 100 mA MAXIMUM
- RF POWER (SURVIVAL): +30 dBm (1 WATT)
- RF POWER (OPERATING): +20 dBm MAXIMUM
- RF PHASE TRACKING: 2 DEGREES PER DEGREE C
(ALL PORTS WITH RESPECT TO COMMON WITH TEMPERATURE)
- SIZE: 1.25" (L) x 1.25" (W) x 0.70" (H)
- WEIGHT: 1.5 OUNCE TYPICAL

OPTIONS:

- 120: 0.1 GHz TO 20 GHz

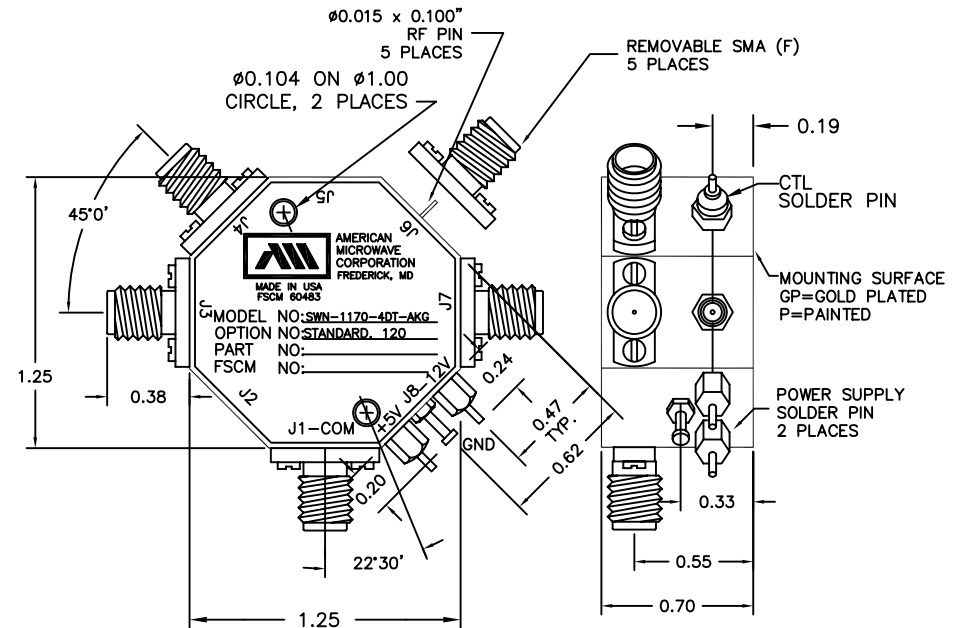
ENVIRONMENTAL RATINGS:

- TEMPERATURE: 0°C TO +55°C (OPERATING)
..... -65°C TO +125°C (STORAGE)
- HUMIDITY: MIL-STD-202F, METHOD 103B COND. B
- SHOCK: MIL-STD-202F, METHOD 213B COND. B
- VIBRATION: MIL-STD-202F, METHOD 204D COND. B
- ALTITUDE: MIL-STD-202F, METHOD 105C COND. B
- TEMPERATURE CYCLE: MIL-STD-202F, METHOD 107D COND. A

NOTE: SPECIFICATIONS WILL VARY OVER OPERATING TEMPERATURE
NOTE: THE ABOVE SPECIFICATIONS ARE SUBJECT TO CHANGE OR REVISION

ALL DIMENSIONS ARE IN INCHES
TOLERANCES:
X.XX ±0.020
X.XXX ±0.010

REVISIONS				
ZONE	REV.	DESCRIPTION	DATE	APPROVED
		- ORIGINAL RELEASE JOB# 903041E-2	7/28/99	



AMERICAN MICROWAVE CORPORATION

7311-G GROVE ROAD
FREDERICK, MARYLAND 21704 USA
TEL: 301-662-4700 FAX: 301-662-4938
WEBSITE: www.americanmicrowavecorp.com
E-MAIL: sales@americanmicrowavecorp.com
ISO 9001:2000 CERTIFIED

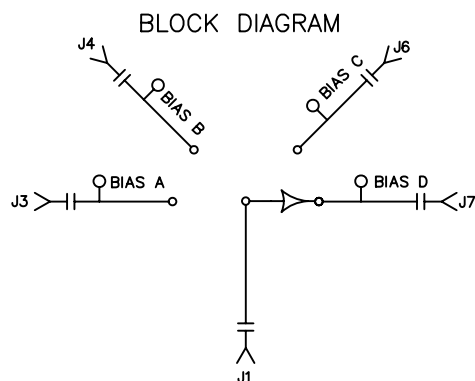
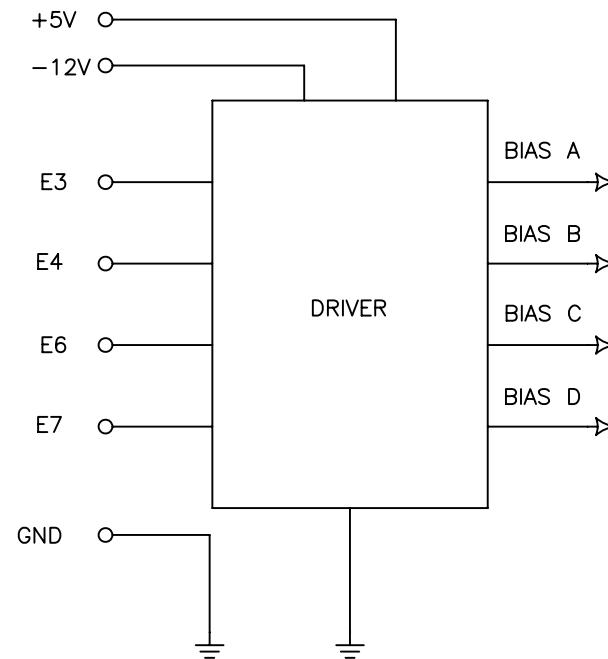
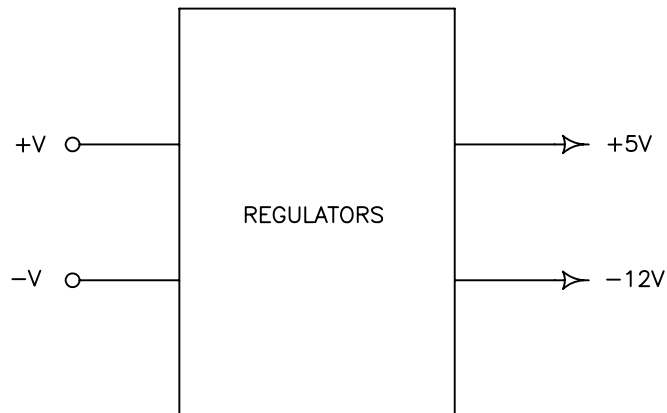


APPROVALS		DATE	TITLE			
DRAWN <i>WFLP</i>		10/29/06	PRODUCT FEATURE SWN-1170-4DT-AKG OPTION: 120 0.1 GHz TO 20 GHz PIN DIODE SWITCH			
CHECKED <i>RA</i>		10/24/06	SIZE	FSCM NO.	DWG NO.	REV.
ISSUED			A	60483	100-7718-001	-
			SCALE	SHEET		
			N:S	1 OF 4		

DESCRIPTION

AMC MODEL SWN-1170-4DT-AKG OPTION 120 IS A SINGLE POLE FOUR THROW, NON-REFLECTIVE/ABSORPTIVE SWITCH MODULE WITH VERY HIGH ISOLATION, LOW LOSS, HIGH SPEED AND INTEGRAL TTL DRIVER, DESIGNED FOR BROAD BAND OPERATIONS.

FUNCTIONAL BLOCK DIAGRAM



CONFIDENTIAL AND PROPRIETARY

REVISIONS				
ZONE	REV.	DESCRIPTION	DATE	APPROVED
		- ORIGINAL RELEASE JOB# 903041E-2	7/28/99	

AMERICAN MICROWAVE CORPORATION

7311-G GROVE ROAD
 FREDERICK, MARYLAND 21704 USA
 TEL: 301-662-4700 FAX: 301-662-4938
 WEBSITE: www.americanmicrowavecorp.com
 E-MAIL: sales@americanmicrowavecorp.com
 ISO 9001:2000 CERTIFIED



APPROVALS		DATE	TITLE			
DRAWN <i>WFLS</i>		10/29/06	FUNCTIONAL BLOCK DIAGRAM SWN-1170-4DT-AKG OPTION: 120 0.1 GHz TO 20 GHz PIN DIODE SWITCH			
CHECKED <i>RA</i>		10/24/06	SIZE	FSCM NO.	DWG NO.	REV.
ISSUED			A	60483	100-7718-001	-
			SCALE	SHEET		3 OF 4
			N:S			